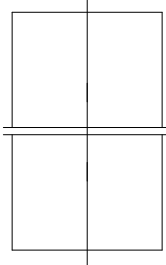
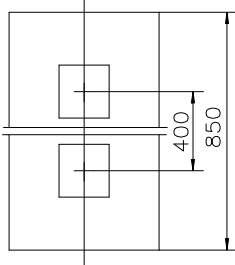
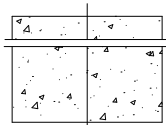
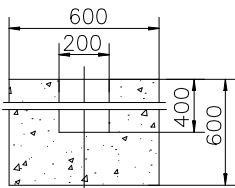
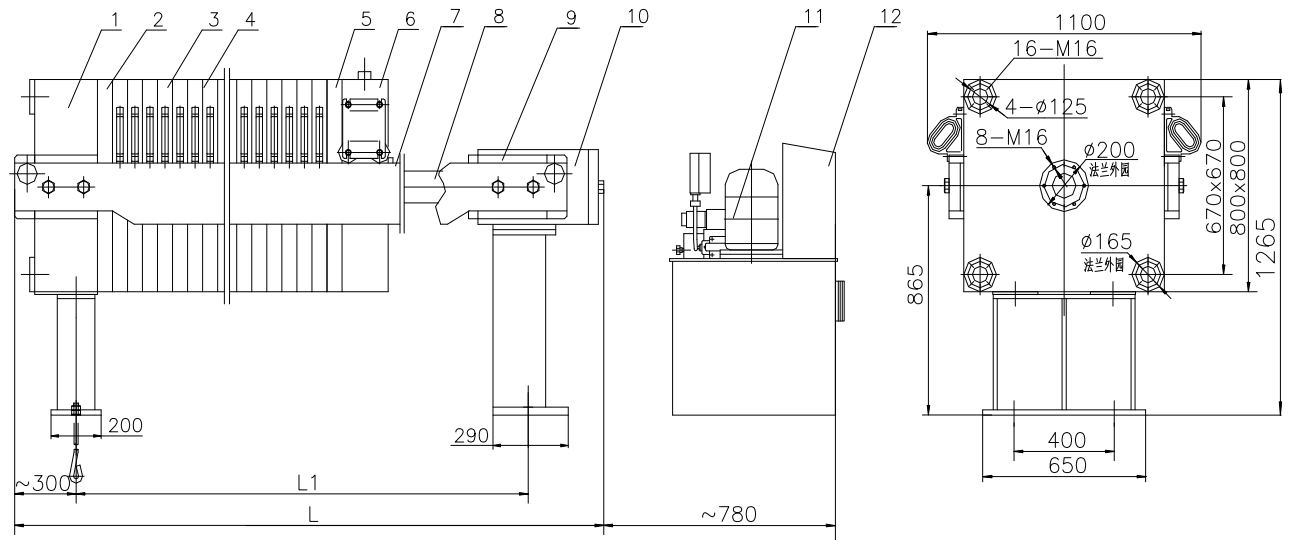


X_M^AY20-80/800-U_K^B

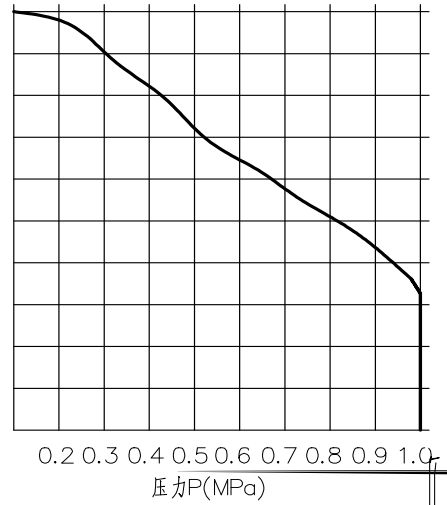
2
 1 5
 3 4
 7 6
 6
 “ ”
 “ 0”



- | | |
|---|----|
| 1 | 7 |
| 2 | 8 |
| 3 | 9 |
| 4 | 10 |
| 5 | 11 |
| 6 | 12 |

1 M20x 400

	1.0MPa
	27MPa
	545kN
	500mm
	100
	1.5KW



m ²			mm	m ³	mm			t	mm	mm
10	9	10	32	0.160	2400	1100	1265	1.788	80	50
20	19	20		0.320	3010			2.145		
30	29	30		0.480	3620			2.472		
40	39	40		0.640	4230			2.802		
50	49	50		0.800	4840			3.125		
60	59	60		0.960	5450			3.456		
70	69	70		1.120	6060			3.937		
80	79	80		1.280	6670			4.289		

m ²	L1mm	m ²	L1mm
10	1651	50	4091
20	2261	60	4701
30	2871	70	5311
40	3481	80	5921

GB1235-76	0	125× 5.7		2	
GB1235-76	0	160× 5.7		10	
GB1235-76	0	190× 5.7		1	